

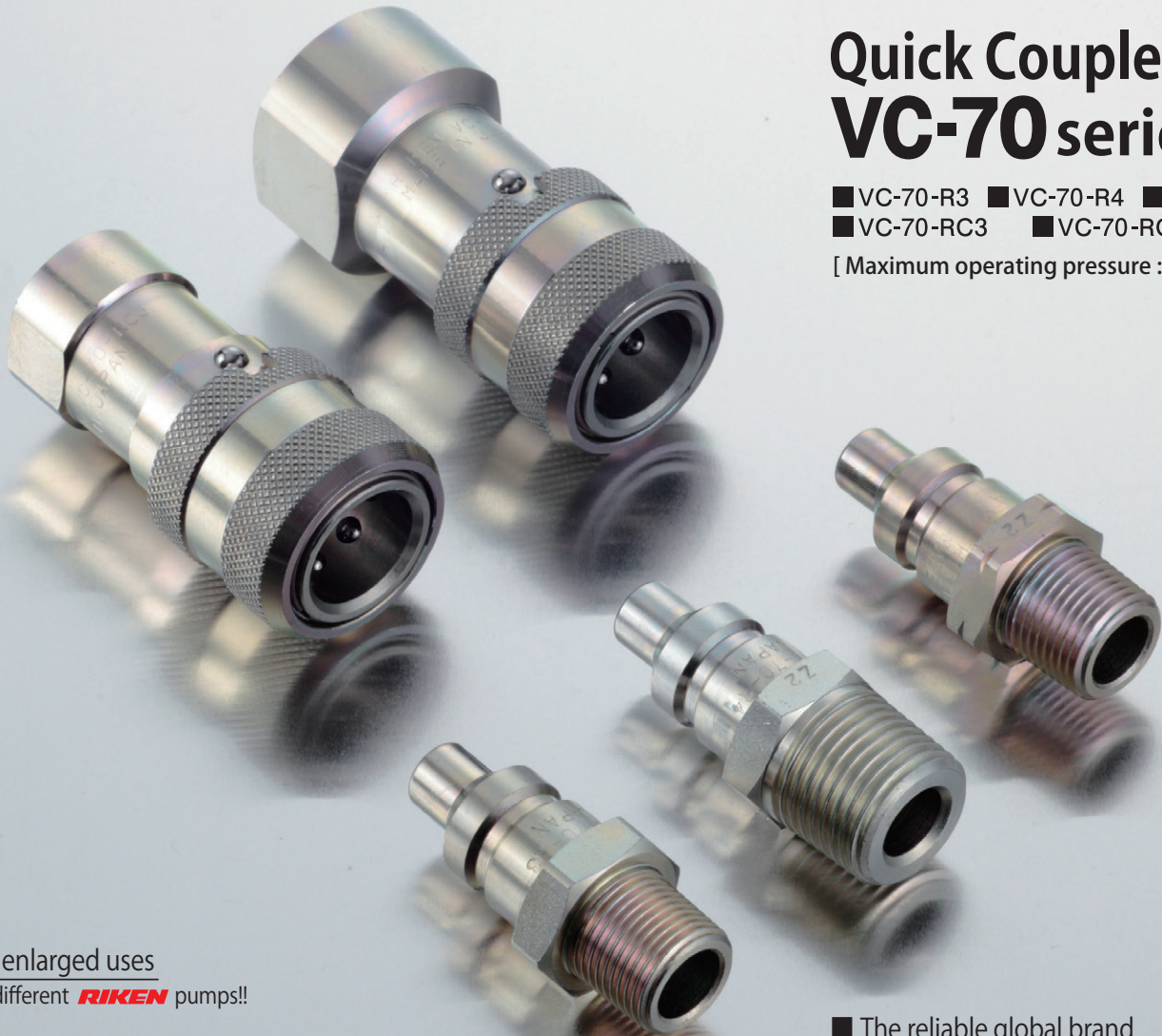
1/5

※1

Quick Coupler VC-70 series

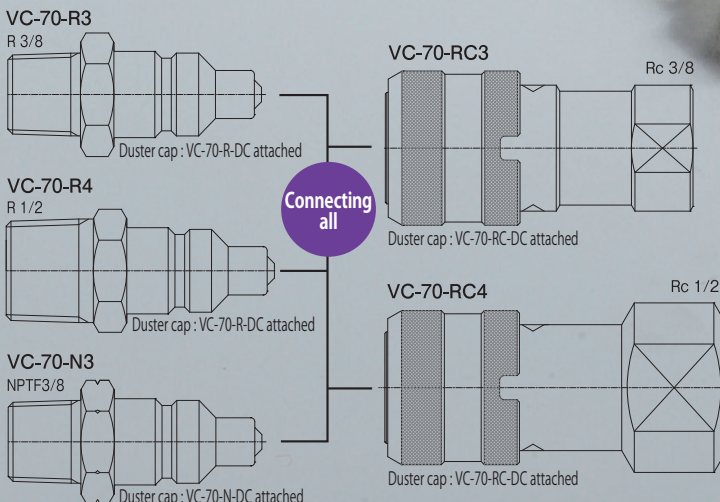
■ VC-70-R3 ■ VC-70-R4 ■ VC-70-N3
■ VC-70-RC3 ■ VC-70-RC4

[Maximum operating pressure : 70MPa]



Further enlarged uses

Sharable to different **RIKEN** pumps!!



The reliable global brand

"MADE IN JAPAN"



Trust and safety

Reliability

- Anti-looseness rocking system
- Self-sealing type

Controllability

- Detachable one-touch device by fingertip
- Pressurization with sole coupler capable

Feel free to contact us.

d[] W2 [] [2Ua@2fV@

z^ , LAA<<@t{ } w } { } { @f@ ,

Wes{ -Lf+vrT{ } w } { } { @f@ ,

F?DF?CB>2fS] S' Si S>2 [' Sfa?]g>2fa] ka>2Sbs 22CBJ?BBI F

bzf, v&L2lC?: B: E?EFFF?CCCC Xs&L2lC?: B: E?GFJJ?I BDD

※1 Pressure drop at connecting is reduced by 1/5 approximately that compared with ROC-13 type (at 10L/min)

70MPa Quick Coupler

あした
“未来を支えるチカラ。”
RIKEN 油圧パワー

VC-70 series

Features

- Pressure drop is reduced by **1/5** that compared with former item (ROC-13 type)
Performed major improvement of the pipe resistance which seldom remarked in ultra-high pressure hydraulic equipment, also it contributes to energy conservation.



- All models can be connected even diameter of connection is different.

This series allow easier coupler selection than former item that offered inconvenience designation in past, especially easier to select like combination of a small cylinder with a big pump .

- Sign of proven reliability "MADE IN JAPAN" marked in the side of main body.
This coupler cleared RIKEN original strict regulations of safety and quality standards.

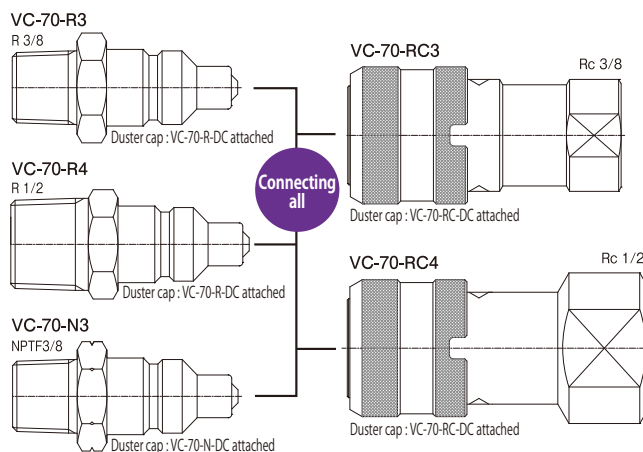
Specification

- The reliable global brand
"MADE IN JAPAN"



- | | |
|--|--|
| Reliability | Controllability |
| <ul style="list-style-type: none"> • Anti-looseness rocking system • Self-sealing type | <ul style="list-style-type: none"> • Detachable one-touch device by fingertip • Pressurization with sole coupler capable |

- Further enlarged uses
Sharable to different **RIKEN** pumps!!



※These specifications are subject to change without notice.

RIKEN KIKI CO.,LTD.

URL : <http://www.rikenkiki.co.jp>

E-mail : osd@rikenkiki.co.jp

Head Office: 4-24-50 Takanawa, Minato-ku, Tokyo 108-0074 JAPAN
TEL: +81-3-3447-1151 FAX: +81-3-5488-7022

Osaka Office: 10-21 Hiroshiba-cho, Suita City, Osaka 564-0052 JAPAN
TEL: +81-6-6384-2766 FAX: +81-6-6368-2333

Fukuoka Sales Office: Tamaishinwa Bldg., 3-12-3 Hakata-Ekimae, Hakata-ku, Fukuoka City 812-0011 JAPAN
TEL: +81-92-411-4440 FAX: +81-92-415-1011