

Small-Size Portable Electric Pump (200 MPa)

New Product

Low-noise type

■SMP-200 Series

- The conventional SMP-2K series have been renewed as the “super quiet type” pumps.
- The adoption of a magnet motor reduces the noise remarkably compared with the conventional types. Additionally, the durability has been improved while the performances are maintained.
- Lightweight, compact, and easy to transport. Ideal for site work such as shipyard and civil engineering construction.
- Automatic high-low pressure switching for improved work efficiency.
- A pressure gauge and a pressure switch are included in each model.
- ⚠The pressure gauge and switch are exclusive to the SMP-200 series. Consult us when using them with other series.

Description of the type

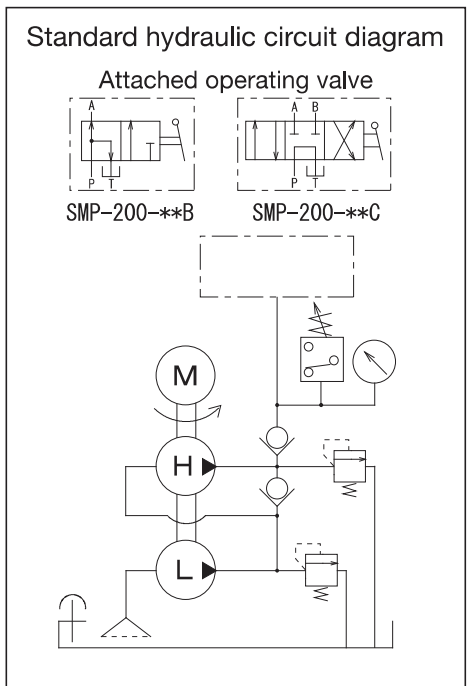
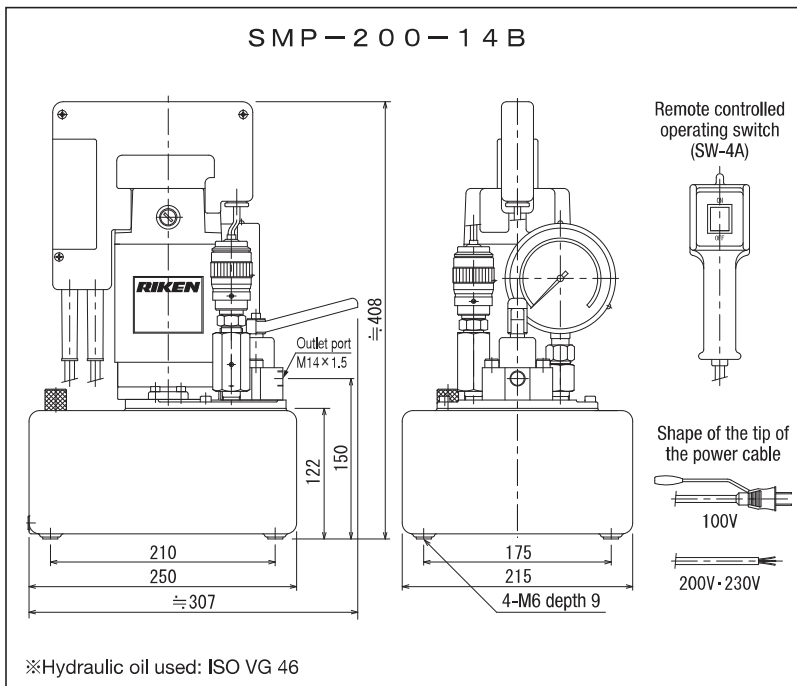
SMP - 200 - 1 4 B -

- SMP**: Small-size portable pump
- 200**: 200MPa series
- 1**: Motor voltage (1: 100V, 2: 200V, 3: 230V)
- 4**: Tank capacity (2: 2.0L, 4: 4.5L, 6: 6.5L)
- B**: Type of Pressure Gauge attached / Available or not (No mark: ASBG100-250M, A: ASG100-250M, N: Without pressure gauge)
- : B: For single-acting cylinder, C: For double-acting cylinder



■Specification

Type	Magnet motor (50/60 Hz)					Pump				Oil tank		Approximate weight (kg)					
	Type classified by insulation type	Voltage (single phase)	Rated output (kW)	Rated operation time (min)	Maximum current (A)	Maximum operating pressure (MPa)		Discharge volume (L/min)		Oil level (L)	Effective oil level (L)						
						High pressure	Low pressure	At high pressure	At low pressure								
SMP-200-12B (C)	Type E Closed type	100	0.45	5	12.0	200	3	0.1	2.0	2.0	1.8	19.0					
SMP-200-14B (C)										4.5	4.0	22.0					
SMP-200-16B (C)										6.5	6.0	25.0					
SMP-200-22B (C)		200			6.0					5.2	200	3	0.1	2.0	2.0	1.8	19.0
SMP-200-24B (C)															4.5	4.0	22.0
SMP-200-26B (C)															6.5	6.0	25.0
SMP-200-32B (C)		230			6.0					5.2	200	3	0.1	2.0	2.0	1.8	19.0
SMP-200-34B (C)															4.5	4.0	22.0
SMP-200-36B (C)															6.5	6.0	25.0



⚠ When the pump is used continuously, caution should be paid to rated operation time and the increase in the motor and oil temperatures.

200MPa