

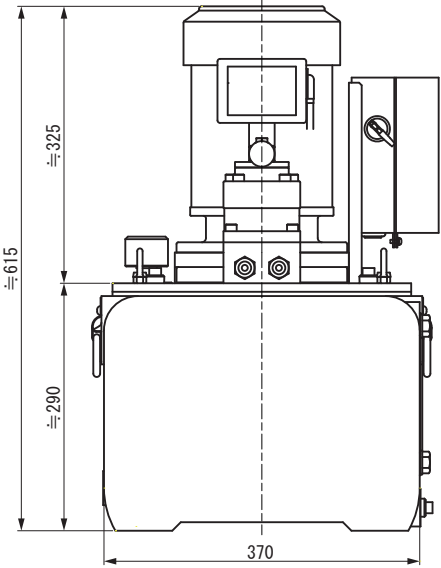
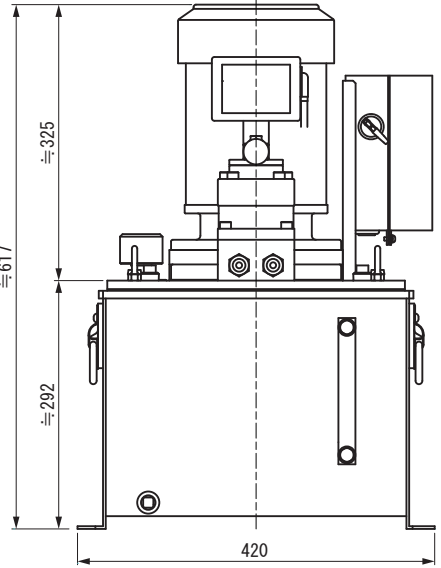
## Notice of the changing specification articles

RIKEN KIKI announced production changing specification of article listed as below.  
This is to reduce the cost.

RIKEN KIKI continues to focus on improving efficiency, thank you for understanding.

- Two-stage electric pump : **MP-10 series**

- The specification will be changed when all the stock has been sold out.
- It is compatible with old version. Refer to the following pages.

Old version	New version
 <p data-bbox="432 1877 671 1939">Tank oil level 22L Effective oil level 13L</p> <p data-bbox="405 1968 699 1995">Material of tank : Aluminum</p>	 <p data-bbox="927 1877 1166 1939">Tank oil level 22L Effective oil level 13L</p> <p data-bbox="935 1968 1158 1995">Material of tank : Iron</p>